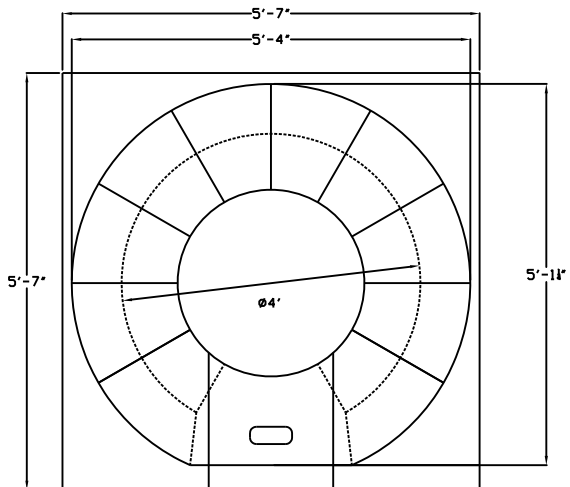


ELEVATION

SECTION/ ELEVATION



Plan View