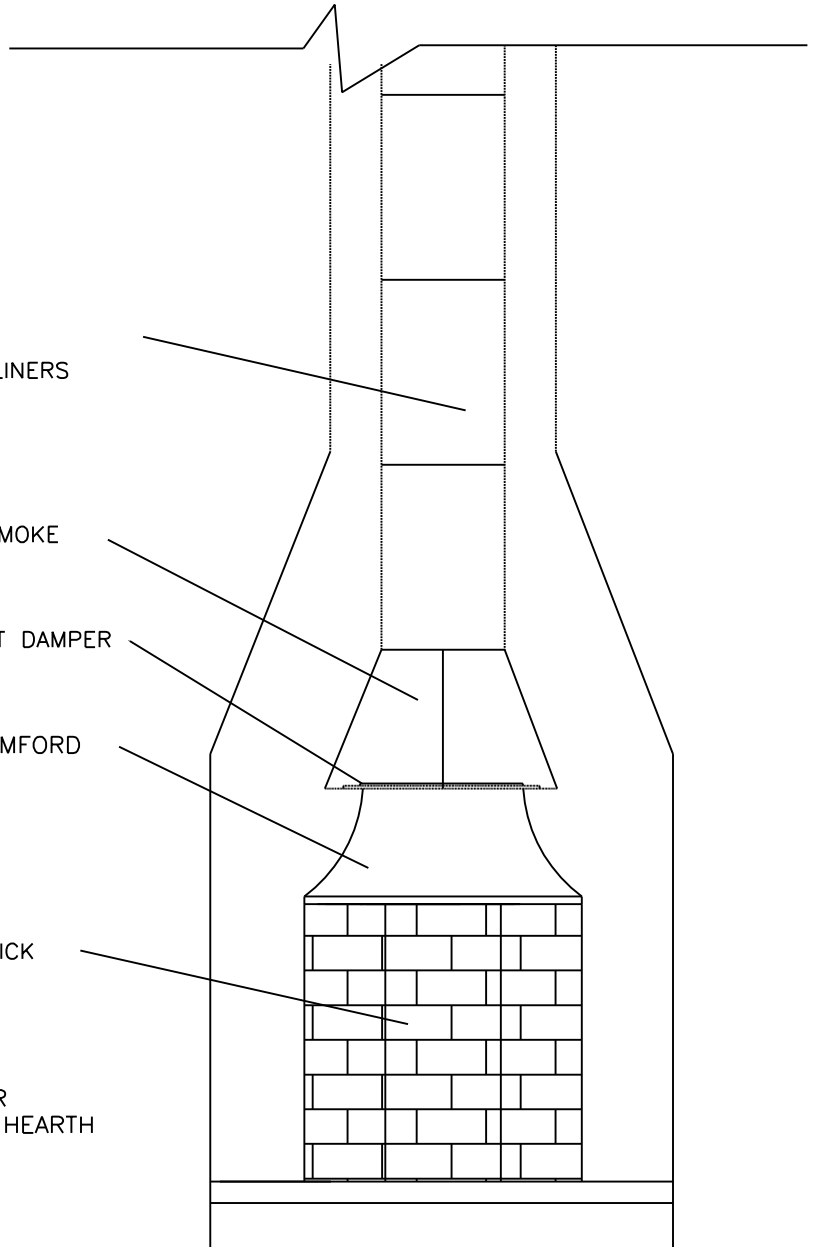


Section-Elevation



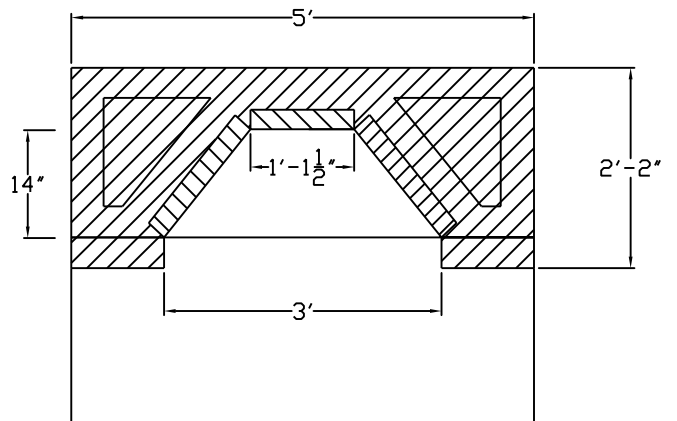
Elevation

BILL OF MATERIALS

- 1 - 36" Rumford Throat
- 1 - Sm. Flat C.I. Damper
- 1 - 12x16 Smoke Chamber
- as needed- 12x16 flues

Note: Supply adequate make up air

2.2



Plan View